



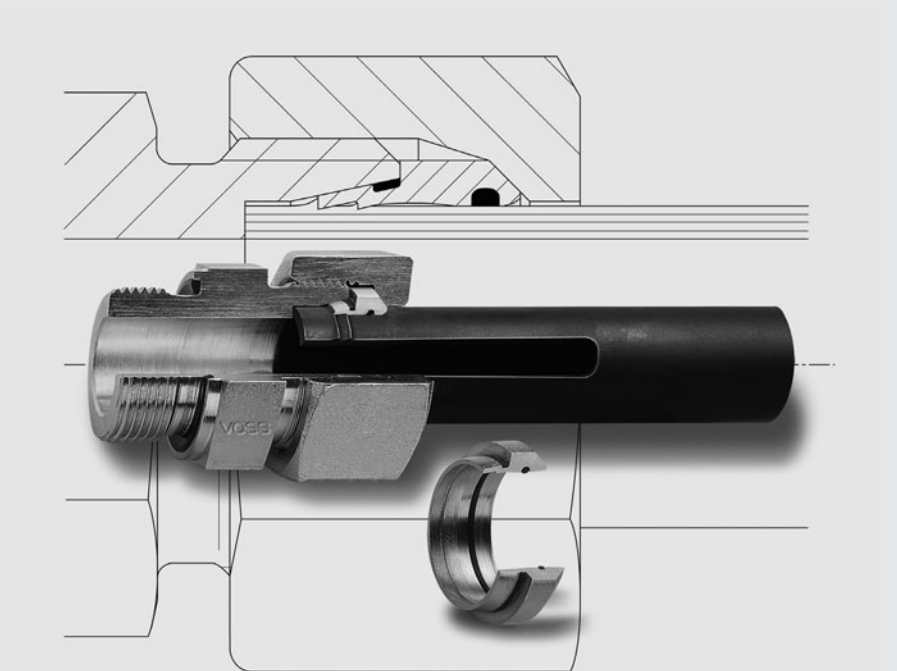
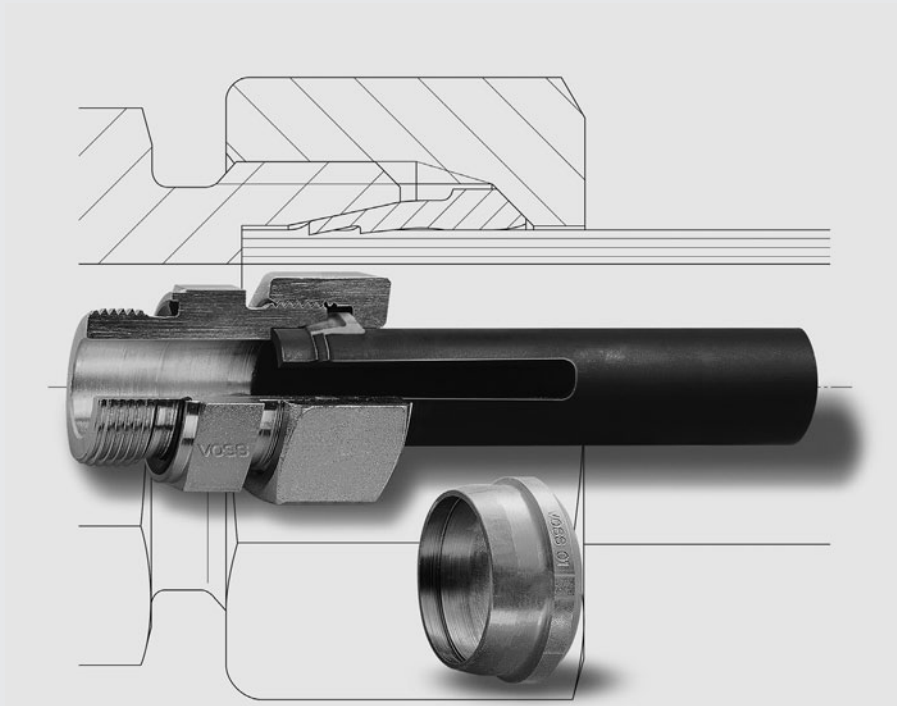
LEHENGOTAK, S.A.

Schneidringverschraubungen

Cutting Ring Couplings

- 2S
- ES-4

- 2S
- ES-4



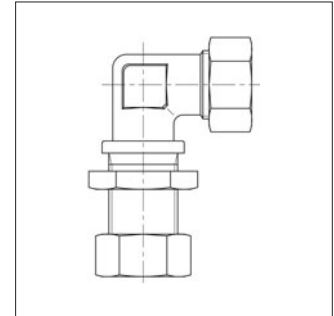
Erfahrung plus Ideen
Experience plus ideas



LEHENGOAK, S.A.

Winkel-Schott-
verschraubungen

Elbow bulkhead
couplings



Typ Type	2S (MG 1) Bestell-Nr. Order No.	€/100 ¹⁾ €/100 ¹⁾	ES-4 (MG 14) Bestell-Nr. Order No.	€/100 ¹⁾ €/100 ¹⁾	** (MG 1) Bestell-Nr. Order No.	€/100 ¹⁾ €/100 ¹⁾
L 6	0138002007*	951,41	0138002009*	1.235,35	0138002066*	805,14
L 8	0138052007	988,28	0138052009	1.293,13	0138052066	826,03
L 10	0138102007	1.101,37	0138102009	1.462,75	0138102066	918,21
L 12	0138152007	1.345,98	0138152009	1.761,45	0138152066	1.125,96
L 15	0138202007	1.590,59	0138202009	2.133,91	0138202066	1.302,96
L 18	0138252007	2.266,65	0138252009	3.097,61	0138252066	1.778,68
L 22	0138302007	3.558,55	0138302009	4.589,86	0138302066	2.904,61
L 28	0138352007	5.472,43	0138352009	6.659,85	0138352066	4.367,36
L 35	0138402007	8.041,48	0138402009	10.164,31	0138402066	6.587,31
L 42	0138452007	11.430,38	0138452009	14.264,94	0138452066	9.777,11
S 6	0138502007	1.095,22	0138502009	1.379,17	0138502066	935,42
S 8	0138552007	1.215,67	0138552009	1.520,54	0138552066	1.043,59
S 10	0138602007	1.520,54	0138602009	1.881,91	0138602066	1.294,35
S 12	0138652007	1.567,25	0138652009	1.982,70	0138652066	1.311,56
S 14	0138702007	2.464,55	0138702009	3.390,16	0138702066	2.045,40
S 16	0138752007	2.253,12	0138752009	2.994,35	0138752066	1.738,09
S 20	0138802007	3.543,79	0138802009	4.469,41	0138802066	2.807,51
S 25	0138852007	5.756,36	0138852009	7.098,67	0138852066	4.495,21
S 30	0138902007	7.975,10	0138902009	9.871,77	0138902066	6.402,93
S 38	0138952007	11.880,28	0138952009	14.283,38	0138952066	9.654,20

* Beispiel Bez. Vergl.:
WSV06L
WSV06ZL
WSV06LOMD

** rohrrseitig ohne Überwurfmutter
und Schneidring
¹⁾ € / 100 Stück, Stahl

* Sample product code:
WSV06L
WSV06ZL
WSV06LOMD

** without union nut and cutting
ring at tube end
¹⁾ € / 100 Pieces, steel